



Volla Phone Plinius with **Ubuntu Touch**

EN

2 - 13

DE

15 - 28

You can find an extended operating manual in other languages by accessing:
<https://downloads.volla.online/>

Available languages online:

BG DE DK EN ES FI FR IT NL RO SE SK



Your Volla Phone **Plinius**

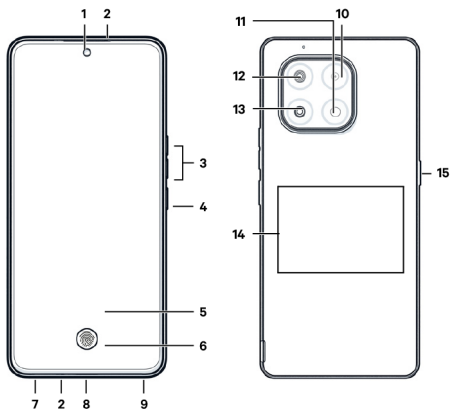
PACKAGE CONTENTS:

- Smartphone
- USB-C cable
- USB-C audio jack adapter
- SIM needle
- Tool for opening the device
- Transparent protective case
- Color inserts in light blue, light green, pink, and lilac
- User manual in German and English
- Quick start guide in French, Spanish, Italian

The device comes with four color inserts. You can place these in the back cover with the logo facing outwards to express your own style. To do this, select the appropriate background image in the system settings.

To protect your smartphone, we recommend a suitable screen protector, which you can find along with other accessories in our online shop at <https://shop.volla.online>.

DEVICE STRUCTURE



1. Front camera
2. Microphone and receiver (top), microphone (bottom)
3. Volume +: press top / Volume -: press bottom
4. On/off
5. Touch-sensitive display (home screen)
6. Fingerprint sensor from the display
7. SIM card slot
8. USB Type-C port
9. Speaker
10. Macro camera
11. Flash
12. Main camera

13. Wide-angle camera

14. Coil (internal) for NFC and for charging the smartphone via induction

15. Function key (individual assignment)

FINGERPRINT SENSOR

The device is equipped with a fingerprint sensor that appears on the screen once you have set up at least one fingerprint profile.

Getting started

INSERTING THE SIM CARD

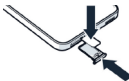
You can insert a nano SIM card and a memory card into the smartphone.

Your smartphone also has an integrated eSIM. To use the eSIM, go to the eSIM Manager in your smartphone's system settings under "Network and Internet." There you can add the data for your mobile phone contract manually or via a QR code. You can obtain both pieces of information from your mobile phone provider.



1. Open the card slot. Hold your smartphone so that the front (display) is facing you. Insert the SIM card needle provided into the small opening on the left side of the card slot and press gently until the card slot pops out.

2. Do not confuse it with the microphone! The microphone is located to the right of the card slot and must not be pressed with the needle.

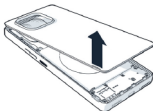


3. Pull out the card slot. Insert the nano SIM card into the card slot. Do not use force when inserting the nano SIM card – this could damage the card slot.

4. Reinsert the card slot and press until it clicks into place.

INSERTING THE MEMORY CARD

Do not use force when inserting the memory card – the contacts in the phone and other parts could be damaged.



1. Use the tool provided, hook it into the recess in the lower left corner and pull the cover upwards.

2. Insert the memory card.

3. Carefully press the back cover onto the back of the device until it clicks into place.



CHARGING THE BATTERY

1. Plug in the USB Type-C connector of the supplied charging cable.

2. Connect the charging cable to a USB power source, such as a power adapter or laptop.

You can also charge the smartphone using a wireless charger via induction. To do this, place the device with the back facing up in the center of a charging surface.



If you will not be using the phone for several days, turn it off. If you will not be using the phone for several weeks, turn it off and remove the battery.

For environmental reasons, this package does not include a charger. You can find suitable accessories in our shop at <https://shop.volla.online>.

TURNING ON THE DEVICE

Press the power button for a few seconds until the device starts up.

SETTING UP THE DEVICE

- When you start the device for the first time, the setup wizard appears. If you have inserted a SIM card, in most cases you will first need to enter your SIM PIN.
- Tap “Next” or “Skip” at the bottom to proceed to the next step.
- After completing the setup wizard, you will be taken to the Ubuntu Touch home screen with the most important apps in a sidebar, the dock.



CREATING ACCOUNTS

You can connect and synchronize the Volla Phone Plinius with your email accounts and online calendar from NextCloud, OwnCloud, Google, or any other provider that supports the CardDAV standard.

1. Open the system settings by tapping the gear icon in the left sidebar.
2. Tap on “Accounts” and select the data source you want to integrate.
3. Once you have connected a data source, tap on the corresponding entry to activate synchronization.

To integrate an email account, first install the “Dekko 2” app from the Ubuntu Touch App Store.

Settings

In System Settings, you can customize the Volla Phone Plinius with Ubuntu Touch for your personal use.

TIPS FOR CUSTOMIZING THE MOBILE CONNECTION:

1. In the settings, tap on the entry for “Network.”
2. Activate mobile data.
3. Select 2G/3G/4G/5G as the connection type.
4. Go to “Network provider 8 APN” and then “Access point.”
5. Make sure that the green check mark is set next to both entries.

TIPS FOR CUSTOMIZING THE FONT SIZE AND COLORS:

1. Install the “UT Tweak Tool” app from the App Store.
2. After launching the app, enter your PIN or password to unlock the device.
3. To change the font size, tap “Scale.”

TIPS FOR USING THE FINGERPRINT SENSOR:

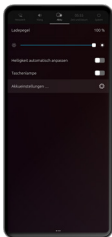
1. Once Ubuntu Touch supports the fingerprint sensor on the display, select the “Security & Privacy” setting.

2. Then select “Lock & Unlock,” “Security after lock,” “Fingerprint ID,” and “Add fingerprint.”
3. Finally, under “Security after lock,” enable the use of your fingerprint.

QUICK SETTINGS

You can access the quick settings by swiping down from the top edge. Here you can, for example, enable or disable Wi-Fi and check the connection to the mobile network.

The settings are grouped into tabs that you can scroll through horizontally to switch between settings.



Opening and closing apps



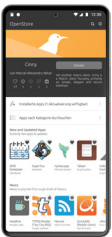
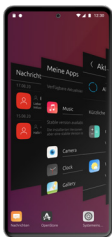
SIDEBAR

You can display the Ubuntu Touch sidebar (dock) at any time by swiping from the left edge to the right. It shows important and currently open apps.

The button at the bottom of the sidebar opens an overview of all installed apps in a grid layout.

FAN VIEW

Swiping from the right edge to the left brings up an overview of open apps, which are displayed as fans. This allows you to switch to one of the open apps or close an open app by swiping from bottom to top.



INSTALLING AND DELETING APPS

Ubuntu Touch uses its own app store. You cannot use Android apps on Ubuntu Touch. This requires the additional software Waydroid. In the Open Store, you will find a suitable app that you can use to install Waydroid: <https://open-store.io/app/waydroidhelper>. aaronhafer

INSTALL

1. Open the App Store via the sidebar, the dock.
2. Tap the magnifying glass icon in the bar at the top to search for apps, or tap one of the recommended apps.
3. Tap the green “Install” button in the app description to install an app.

TIPS FOR USING IMPORTANT APPS:

- Phone: Swipe up from the bottom to see your received and missed calls.
- Messages: Use a pinch gesture with your thumb and index finger to zoom in or out.
- Weather: Swipe up from the bottom to add a new location or share your

location via Settings.

- **Contacts:** Swipe up from the bottom to add a new contact or import a CardDAV file with the extension .vcf to transfer contacts from your previous smartphone or PC.

UPDATE

1. Tap the “Installed Apps” line to see the apps you have installed.
2. If there is a newer version of one or more apps, they will appear at the top of the list. Tap “Update All” to update them.

DELETE

1. Tap on an entry in the list of installed apps to get detailed information.
2. Then tap on the trash can icon in the upper right corner to delete the app.

SYSTEM UPDATES

Updates with improvements and bug fixes are available for your Volla Phone Plinius approximately every 2 months.

1. To check for or perform an update, go to System Settings and select “System Updates.”
2. If an update for the operating system or pre-installed apps is available, go to ‘About’ in System Settings and tap “Check for Updates.”
3. After downloading a system update, you will need to confirm the update again. The device will then start in a mode for installing the system update.

Customer service

Answers to frequently asked questions can be found on our website:
<https://volla.online/de/faqs>

Further help and instructions can be found in the UBports Foundation documentation: <https://docs.ubports.com/de/latest>

We are happy to answer your questions via our convenient form:
<https://volla.online/de/support>

OUR ADDRESS IS:

Volla Systeme GmbH

Kölner Straße 102

42897 Remscheid, Germany

For repairs, including warranty cases, customers from Germany and the EU should contact our certified partner Phone Service: <https://phone-service.de/volla>. Customers from Switzerland should contact <https://nanoRepair.ch> and from Norway <https://pc-spesialisten.no>

Social media

The Volla Phone Plinius was developed with and for our users. You are therefore invited to discuss with us and other users and developers, ask your questions, and give suggestions for further development. You can reach us on the following platforms:

- Telegram: https://t.me/hello_volla

- Facebook: <https://facebook.com/hellovolla>
- Instagram: https://instagram.com/hello_volla
- X: https://x.com/hello_volla
- LinkedIn: <https://www.linkedin.com/company/hellovolla>
- YouTube: https://youtube.com/hello_volla
- Odysee: <https://odysee.com/@Volla:0>
- Mastodon: <https://mastodon.social/@volla>

Open Source

The Volla Phone Plinius stands for freedom through simplicity and security. This includes the transparency and verifiability of the software on the Volla Phone. That is why Volla Systeme GmbH publishes the source code for Volla OS and Ubuntu Touch. At the same time, we invite developers to support us in further development:

<https://github.com/hellovolla>

The Ubuntu Touch operating system is being further developed and maintained by the UBports Foundation:

<https://ubports.com>

Volla is a registered trademark of Volla Systeme GmbH.

Ubuntu Touch is a registered trademark of Canonical Ltd.

Safety instructions

Please read all safety instructions before using the device to ensure safe and proper use.

- Do not press, bend, or throw the device.
- Avoid contact between the USB port and conductive materials such as metals or liquids.
- Avoid using the phone in an industrial environment or near metal shavings.
- If any part of the device, such as the display or case, is damaged, emits smoke, or gives off a burning smell, stop using the device immediately. Do not use the device again until it has been repaired at a Volla authorized service center.
- If the back cover of the device is dented, turn off the device immediately and visit the nearest Volla authorized service center.

OBSERVE THE FOLLOWING WARNINGS TO AVOID INJURY TO PERSONS OR DAMAGE TO THE DEVICE

- Keep the device away from unattended children and animals.
- Do not use the camera flash near the eyes of people or animals.
- The device can be used in locations with an ambient temperature of -20°C to 60°C. You can charge the device at an ambient temperature of 0°C to 60°C. Using or storing the device outside the recommended temperature ranges may damage the device or shorten the battery life.
- Do not use the device in hot environments or near fire.
- Observe all safety instructions and regulations regarding the use of mobile devices while driving a vehicle.
- Switch off your smartphone in potentially explosive areas and observe all warning notices. Potentially explosive areas also include those places where it is normally recommended to switch off vehicle engines. In such places, flying sparks can cause explosions or fires, resulting in personal

injury and possibly death. Such areas include: gas stations, chemical factories, transport or storage facilities for hazardous chemicals, areas under ship decks, areas where the air contains chemical substances or fine particles (e.g., dust or metal powder particles).

- Short-circuiting, disassembling, or modifying your smartphone is prohibited. There is a risk of personal injury, electric shock, fire, or damage to the charger.
- It is recommended that you do not use fixed graphics on part or all of the display for an extended period of time. Otherwise, afterimages (screen burn-in) or ghost images may occur.

MAINTAINING WATER AND DUST RESISTANCE

- Water or dust entering the device may damage it. Follow these tips carefully to prevent damage to the device and maintain its water and dust resistance.
- To ensure proper functioning and longevity of the device, it is important that it is not exposed to water with great force.
- If the device has come into contact with fresh water, dry it thoroughly with a clean, soft cloth. If the device has come into contact with other liquids such as swimming pool water, salt water, soapy water, oil, perfume, sunscreen, hand sanitizer, or chemical products such as cosmetics, rinse it with fresh water and dry it thoroughly with a clean, soft cloth. Failure to follow these instructions may affect the performance and appearance of the device.
- This device has been tested in a controlled environment and certified to be water and dust resistant in certain situations (meets the requirements of the ****IP68**** classification as described in the international standard IEC-60529 Degree of Protection Provided by Enclosures IP Code; test conditions: 15-35 °C, 86-106 kPa, freshwater shower, 2 minutes). Despite this classification, it is possible that the device may be damaged in certain situations.



HEADPHONES

High volumes can damage your hearing.

Listening to music or conversations through headphones at high volume can be uncomfortable and cause permanent damage to your hearing. To prevent hearing loss, avoid listening at high volume levels for long periods of time.

- When using your headphones while walking or running, be careful not to let the headphone cord wrap around your body or objects.
- Only use the headphones in dry environments. Static electricity that builds up on the headphones can discharge in the form of an electric shock to the ears. Static electricity can discharge when you touch the headphones with your hand or when they come into contact with bare metal before connecting to your cell phone.

USE IN HOSPITALS / MEDICAL DEVICES

- The functions of medical devices in the vicinity of your product may be impaired. Observe the technical conditions in your environment, e.g., in doctors' offices.
- If you use a medical device (e.g., a pacemaker), please consult the manufacturer of the product before use. They will inform you about the sensitivity of the device to external high-frequency energy sources.
- Pacemakers, implanted cardioverter defibrillators: When switching on the mobile phone, please ensure that the distance between the

mobile phone and the implant is at least 152 mm. To reduce potential interference, use the mobile phone on the side opposite the implant. If interference occurs, please turn off the mobile phone immediately. Do not keep the mobile phone in your shirt pocket.

- Hearing aids, cochlear implants: Some digital wireless devices may interfere with hearing aids and cochlear implants. If interference occurs, please contact the manufacturer of such products.
- Other medical devices: If you or people around you use other medical devices, please check with the manufacturer to see if such devices are protected against radio frequency signals in the environment. You can also consult your doctor about this.

EMERGENCY CALLS

- Make sure your cell phone is connected to the cellular network and turned on. If necessary, enter the emergency number and then make your call.
- Tell the emergency call center operator your location.
- Do not end the call until the emergency call center operator tells you to do so.

CHILDREN AND PETS

- Keep your mobile phone, chargers, and accessories out of the reach of children and pets. Children and/or pets may swallow small parts, which could cause choking and other hazards. Children should only use mobile phones under adult supervision.

GAMING

- Playing games on your mobile phone for long periods of time may lead to unhealthy posture. Take a 15-minute break after every hour. If you feel unwell while playing, stop playing immediately. If this condition persists, consult a doctor immediately.

AIRPLANES, VEHICLES, AND TRAFFIC SAFETY

- Turn off your mobile phone in the airplane. Please observe the applicable restrictions and regulations. Wireless devices can interfere with the functions of flight equipment. When using your mobile phone, be sure to follow the instructions of the flight crew.
- As a driver, the top priority is road safety and the safety of other road users.
- Using your mobile phone while driving can distract you and lead to dangerous situations. It may also violate applicable laws.

DEFECTIVE DEVICES

- Only qualified maintenance personnel may install or repair the products.
- Dispose of defective devices responsibly or have them repaired by our customer service department; such devices could interfere with other wireless services.
- Rough handling of the mobile phone, e.g., dropping it, can break the display and damage the electronic circuitry and sensitive internal components.
- Do not use the device if the display is cracked or broken. Glass or plastic splinters can injure your hands and face.
- If your mobile phone, battery, or accessories malfunction, please contact Volla Systeme customer service for inspection.

OTHER IMPORTANT INFORMATION

- Never point the flash directly at the eyes of people or animals. If the flash is pointed too close to the human eye, there is a risk of temporary loss of vision or damage to eyesight.
- Running energy-intensive apps or programs on the device for a long period of time may cause the device to become warm. This is normal and does not affect the performance of the device.
- If the device becomes hot, please set it aside for a while and interrupt any program that is running. Contact with a hot device may cause minor skin irritation, e.g., redness.
- Do not paint the mobile phone. Paint/color can damage parts of the mobile phone and may cause malfunctions.

WARRANTY CERTIFICATE

Without prejudice to their warranty claims against the seller, consumers (customers) are granted a durability warranty under the following conditions:

- New devices and their components that show a defect within 24 months of purchase due to manufacturing and/or material defects will be replaced or repaired free of charge by Volla Systeme GmbH at its discretion with a device that corresponds to the state of the art. For wear parts (e.g., batteries, keyboards, housings), this durability guarantee applies for six months from the date of purchase.
- This warranty does not apply if the defect in the devices is due to improper handling and/or failure to follow the manuals.
- This warranty does not cover services provided by the authorized dealer or the customer themselves (e.g., installation, configuration, software downloads). Manuals and any software supplied on a separate data carrier are also excluded from the warranty.
- The proof of warranty is the proof of purchase with the date of purchase. Warranty claims must be made within two months of becoming aware of the warranty case.
- Replaced devices or their components that are returned to Volla Systeme GmbH as part of the exchange become the property of Volla Systeme GmbH.
- This warranty applies to new devices purchased in the European Union. The guarantor for devices purchased in Germany is Volla Systeme GmbH, Kölner Straße 102, 42897 Remscheid, Germany.
- Further or other claims arising from this manufacturer's warranty are excluded. Volla Systeme GmbH is not liable for business interruption, loss of profit, and loss of data, additional software installed by the customer, or other information. The customer is responsible for backing up such data. The exclusion of liability does not apply in cases of mandatory liability, e.g., under the Product Liability Act, in cases of intent, gross negligence, injury to life, limb, or health, or breach of essential contractual obligations. However, claims for damages for the breach of essential contractual obligations are limited to the foreseeable damage typical for this type of contract, unless there is intent or gross negligence or liability for injury to life, limb, or health or under the Product Liability Act.
- The warranty period is not extended by the provision of warranty services.
- If there is no warranty claim, Volla Systeme GmbH reserves the right to charge the customer for replacement or repair. Volla Systeme GmbH will inform the customer of this in advance.
- The above provisions do not imply a change in the rules of evidence to the detriment of the customer.

- To redeem this warranty, please contact Volla Systeme GmbH. The contact details can be found in the operating instructions.

DISCLAIMER

The display of your mobile device consists of pixels. Each pixel consists of three sub-pixels (red, green, blue).

It is possible that a sub-pixel may fail or exhibit a color deviation.

A warranty claim is only valid if the maximum number of permissible pixel errors is exceeded.

Description	Max. nb. of permitted pixel errors
Colour illuminated sub-pixels	1
Dark sub-pixels	1
Total number of coloured and dark sub-pixels	1

Signs of wear on the display and housing are excluded from the warranty.

Certain content and services that can be accessed via this device are the property of third parties and are protected by copyrights, patents, trademarks, and/or other intellectual property laws. Such content and services are provided exclusively for non-commercial, private use. You may not use content and services in any manner that has not been authorized by the owner of a particular content or service provider. Without limiting the general validity of the foregoing provisions, except as expressly specified by the owner of the content or service provider, the modification, reproduction, redistribution, uploading, publication, transmission, translation, sale, creation of derivative works, dissemination, or distribution of the content or services displayed on this device in any form and on any medium is prohibited.

Manufacturer's notes

APPROVAL

This device is intended for use within the European Economic Area. Country-specific features are taken into account.

Volla Systeme GmbH hereby declares that the Volla Phone Plinius radio equipment type complies with Directive 2014/53/EU.

The full text of the EU Declaration of Conformity is available at the following Internet address: <https://downloads.volla.online>

Operation in the 5150 - 5350 MHz frequency range is only permitted indoors in the United Kingdom and the following countries.

AT	BE	BG	CH	CY	CZ	DE	DK	EE	EL	ES
FI	FR	HR	HU	IE	IS	IT	LI	LT	LU	LV
MT	NL	NO	PT	PL	RO	SE	SI	SK	TR	UK

PROPER DISPOSAL OF THIS PRODUCT

(Directive on Waste Electrical and Electronic Equipment (WEEE))

(Valid in countries with waste separation systems)



This symbol on the product, accessories, or literature indicates that the product and its electronic accessories (e.g., charger, headphones, USB cable) must not be disposed of with household waste.

To avoid potential environmental and health hazards from uncontrolled waste disposal, recycle it responsibly to promote the sustainable reuse of raw materials.

Private users should contact the retailer where the product was purchased or the relevant authorities, who will provide information on where the parts can be disposed of in an environmentally friendly manner.

Commercial users should contact their supplier and check the terms and conditions of their purchase agreement.

This product and its electronic accessories must not be disposed of with other commercial waste.

This “WEEE” is compatible with the RoHS directive.

INFORMATION ON SPECIFIC ABSORPTION RATE (SAR) CERTIFICATION

THIS DEVICE COMPLIES WITH INTERNATIONAL GUIDELINES FOR RADIO WAVE EXPOSURE.

Your mobile device has been designed to not exceed internationally recommended exposure limits for radio waves.

These guidelines were established by an independent scientific organization (ICNIRP) and include a large safety margin designed to ensure the safety of all persons, regardless of age and health. The guidelines for radio wave exposure use a unit of measurement called the Specific Absorption Rate, or SAR.

The highest SAR values under the ICNIRP guidelines for this device model are:

- The SAR limit for mobile devices is 2.0 W/kg (head/body).
- The SAR limit for mobile devices is 4.0 W/kg (limbs). Highest SAR value for this phone model and the measurement conditions

Highest SAR value for this phone model and the measurement conditions:

- SAR at the head (when making a call) 0.659 W/kg (10g)
- SAR at the body (e.g., carried in a pants pocket) 0.983 W/kg (10g)
- SAR at the limbs (e.g., carried on the arm) 2.006 W/kg (10g)

The SAR values for wearing on the body are determined at a distance of 5 mm. To comply with the HF exposure directives for wearing on the body, the device should be positioned at least this distance away from the body.

TECHNICAL DATA

Frequency	Band max	Max power
2G	900 MHz	35 dBm
	1800 MHz	32dBm
3G	900 MHz	25,7dBm
	2100 MHz	25,7dBm
4G / 4G+	GS6: B1/B2/B3/B5/B7/ B8/B20/ B28/B38/B40/B41 GS6 PRO: B1/B2/B3/ B5/B7/B8/ B9/B18/B19/B20/ B28/B34/ B38/B40/B41/B42/ B43	25,7dBm
5G NR	n1/n3/n5/n7/n8/n20/ n28/n38/n40/n41	25,7dBm
	n41/n77/n78	28dBm
WLAN 2,4 GHz	2,4 GHz	20dBm
WLAN 5,1-5,7 GHz	5150MHz-5250MHz	23dBm
	5250MHz-5350MHz	20dBm
	5470MHz-5725MHz	20dBm
WLAN 5,8 GHz	5725MHz-5850MHz	13,98dBm
WLAN 6e	5945MHz-6425MHz	14dBm
BT	2,4 GHz	20dBm
NFC	2,4 GHz	42dB μ A/m @10m
WPT	13,56MHz	-8.591dB μ A/m @10m

BATTERY

Technology: Li-polymer

Capacity: 5300 mAh typ. V30145-K1310-X491 (part number) or 6000 mAh typ. (compatible) V30145-K1310-X489 (part number)

Open Source Software

Your Volla Phone Plinius contains, among other things, open source software that is subject to various license terms.

Ubuntu Touch is based on the Linux distribution Ubuntu, which is published under the GNU General Public License (GPL).

<https://www.gnu.de/documents/gpl-2.0.en.html>

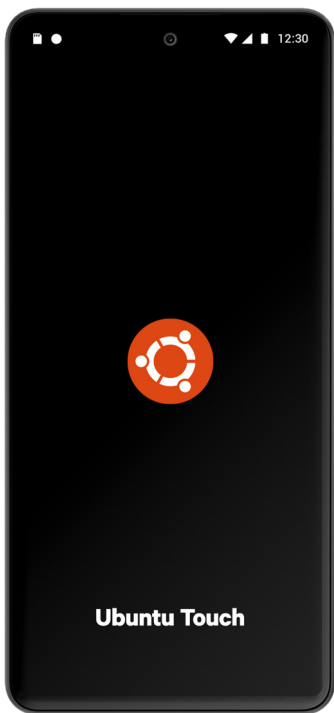
<https://gitlab.com/ubports>

Ubuntu Touch uses Halium for hardware abstraction, which is also published under the GNU General Public License (GPL).

<https://www.gnu.de/documents/gpl-3.0.en.html>

<https://github.com/halium>

The software developed specifically for the Volla Phone Plinius is available on Github: <https://github.com/hellovolla>



Volla Phone Plinius with **Ubuntu Touch**

EN

2 - 13

DE

15 - 28

Eine ausführliche Bedienungsanleitung
in anderen Sprachen finden Sie unter
folgendem Link:

<https://downloads.volla.online/>

Verfügbare Sprachen online:

BG DE DK EN ES FI FR IT NL RO SE SK



Ihr Volla Phone **Plinius**

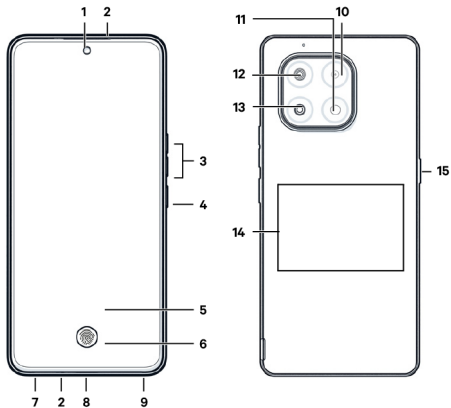
LIEFERUMFANG:

- Smartphone
- USB-C Kabel
- USB-Klinke-Adapter für Kopfhörer mit Mikrofon
- SIM Nadel
- Werkzeug zum Öffnen des Geräts
- Transparente Schutzschale
- Farbeinlagen in Hellblau, Hellgrün, Rosa und Flieder
- Bedienungsanleitung Deutsch und Englisch
- Kurzanleitung Französisch, Spanisch, Italienisch

Das Gerät wird mit vier Farbeinlagen geliefert. Diese können Sie mit dem Logo nach außen in die Rückenschale legen, um Ihren eigenen Stil Ausdruck zu verleihen. Wählen Sie dazu das passende Hintergrundbild in den Systemeinstellungen.

Zum Schutz Ihres Smartphones empfehlen wir einen passenden Display-Schutz, den Sie mit weiterem Zubehör unserem Online Shop unter <https://shop.volla.online> finden.

GERÄTEAUFBAU



1. Vordere Kamera
2. Mikrofon und Empfänger (oben), Mikrofon (unten)
3. Lautstärke +: oben drücken / Lautstärke -: unten drücken
4. Ein-/Ausschalten
5. Berührungsempfindliches Display (Startbildschirm)
6. Fingerabdrucksensor auf dem Display
7. SIM-Karten-Einschub
8. USB Typ C-Anschluss
9. Lautsprecher
10. Makrokamera
11. Blitz

- 12. Hauptkamera
- 13. Weitwinkelkamera
- 14. Spule (intern) für NFC und zum Aufladen des Smartphones über Induktion
- 15. Funktionstaste (individuelle Belegung)

FINGERABDRUCKSENSOR

Das Gerät ist mit einem Sensor zur Erkennung von Fingerabdrücken ausgestattet, der auf dem Bildschirm angezeigt wird, sobald Sie mindestens ein Fingerabdruckprofil eingerichtet haben.

Erste Schritte

SIM-KARTE EINLEGEN

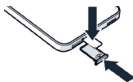
Sie können eine Nano-SIM-Karte und eine Speicherkarte in das Smartphone einlegen.

Zusätzlich verfügt Ihr Smartphone über eine integrierte eSIM. Um die eSIM zu verwenden, rufen Sie später in den Systemeinstellungen Ihres Smartphones unter "Netzwerk und Internet" den eSIM Manager auf. Dort fügen Sie die Daten Ihres Mobilfunkvertrags manuell oder über einen QR-Code hinzu. Beide Informationen erhalten Sie von Ihrem Mobilfunkanbieter



1. Karten-Einschub öffnen. Smartphone so halten, dass die Vorderseite (Display) zu Ihnen zeigt. Mitgelieferte SIM-Karten-Nadel in die kleine Öffnung links am Karten-Einschub stecken und leicht drücken, bis der Karteneinschub herauspringt.

2. Nicht mit dem Mikrofon verwechseln! Das Mikrofon befindet sich rechts neben dem Karten-Einschub und darf nicht mit der Nadel gedrückt werden.



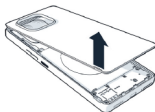
3. Karten-Einschub herausziehen. Nano-SIM-Karte in den Karten-Einschub einsetzen. Wenden Sie beim Einlegen der Nano-SIM-Karte keine Kraft an – der Karten-Einschub könnte beschädigt werden.

4. Karten-Einschub wieder einstecken und

drücken, bis er einrastet.

SPEICHERKARTE EINLEGEN

Wenden Sie beim Einlegen der Speicherkarte keine Kraft auf – die Kontakte im Telefon und andere Teile könnten beschädigt werden.



1. Verwenden sie das beigelegte Werkzeug, haken Sie es in die Aussparung in der linken unteren Ecke ein und ziehen Sie die Abdeckung nach oben.

2. Speicherkarte einsetzen.

3. Drücken Sie die Rückabdeckung vorsichtig auf die Geräterückseite, bis sie einrastet.



AKKU LADEN

1. USB-Typ-C-Stecker des mitgelieferten Ladekabels einstecken.
2. Verbinden Sie das Ladekabel mit einer USB-Stromquelle, beispielsweise einem Netzteil oder einem Laptop.

Sie können das Smartphone auch mit einem Wireless Charger über Induktion laden. Legen Sie dafür das Gerät mit der Rückseite mittig auf eine Ladefläche.



Wenn Sie das Telefon für mehrere Tage nicht benutzen werden, schalten Sie es aus. Wenn Sie das Telefon für mehrere Wochen nicht benutzen werden, schalten Sie es aus und entnehmen Sie den Akku.

Aus Umweltschutzgründen liegt dieser Verpackung kein Ladegerät bei. Passendes Zubehör finden Sie in unserem Shop unter <https://shop.volla.online>

GERÄT EINSCHALTEN

Drücken Sie die Einschalttaste einige Sekunden, bis das Gerät startet.

GERÄT EINRICHTEN

- Wenn Sie das Gerät zum ersten Mal starten, erscheint der Einrichtungsassistent. Wenn Sie eine SIM-Karte eingesteckt haben, müssen Sie in den meisten Fällen zuerst Ihre SIM-PIN eingeben.
- Durch Tippen auf “Weiter” oder “Überspringen” am unteren Rand gelangen Sie jeweils zum nächsten Schritt.
- Nach Beenden des Einrichtungsassistenten gelangen Sie auf die Startansicht von Ubuntu Touch mit den wichtigsten Apps in einer Seitenleiste, dem Dock.



KONTEN ANLEGEN

Sie können das Volla Phone Plinius mit Ihren E-Mail-Postfächern und ihrem Online-Kalender aus einer NextCloud, OwnCloud, Google oder einem anderen Anbieter, der den CardDAV Standard unterstützt, verbinden und synchronisieren.

1. Rufen sie die Systemeinstellungen auf, indem Sie auf das Zahnradsymbol in der linken Seitenleiste tippen.
2. Tippen Sie auf den Eintrag “Konten” und wählen Sie die Datenquelle auf, die Sie einbinden wollen.
3. Wenn Sie eine Datenquelle verbunden haben, tippen Sie auf den entsprechenden Eintrag, um abschließend die Synchronisation zu aktivieren.

Um ein E-Mail-Postfach einzubinden, installieren Sie zunächst die App “Dekko 2” aus dem Ubuntu Touch App Store.

Einstellungen

In den Systemeinstellungen können Sie das Volla Phone Plinius mit Ubuntu Touch für Ihre persönliche Verwendung anpassen.

TIPPS FÜR DIE ANPASSUNG DER MOBILFUNKVERBINDUNG:

1. Tippen Sie in den Einstellungen auf den Eintrag für das "Netz".
2. Aktivieren Sie Mobilfunkdaten.
3. Wählen Sie als Verbindungstyp 2G/3G/4G/5G.
4. Rufen Sie "Netzanbieter & APN" und anschließend "Zugangspunkt" auf.
5. Stellen Sie sicher, dass neben beiden Einträgen das grüne Häkchen gesetzt ist.

TIPPS FÜR DIE ANPASSUNG DER SCHRIFTGRÖSSE UND FARBEN:

1. Installieren Sie aus dem App Store die App "UT Tweak Tool".
2. Geben Sie nach dem Start der App Ihre PIN oder Ihr Passwort zum Entsperren des Gerätes ein.
3. Um die Schriftgröße zu verändern, tippen Sie auf "Skalieren".

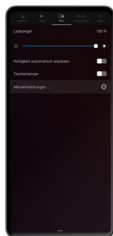
TIPPS FÜR DIE VERWENDUNG DES FINGERABDRUCKSENSORS:

1. Sobald Ubuntu Touch den Fingerabdrucksensor auf dem Display unterstützt, wählen Sie die Einstellung "Sicherheit & Datenschutz" aus.
2. Anschließend "Sperren & Entsperren", "Sicherheit nach dem Sperren", "FingerabdruckID" und "Fingerabdruck hinzufügen".
3. Aktivieren Sie schließlich unter "Sicherheit nach dem Sperren" die Verwendung des Fingerabdrucks.

SCHNELLEINSTELLUNGEN

Mit einer Wischgeste vom oberen Rand nach unten können Sie die Schnelleinstellungen aufrufen. Zum Beispiel können Sie hier das WLAN aktivieren oder deaktivieren und die Verbindung mit dem Mobilfunknetz prüfen.

Die Einstellungen sind über Reiter gruppiert, durch die Sie horizontal blättern können, um zwischen den Einstellungen zu wechseln.



Apps öffnen und schließen



SEITENLEISTE

Mit einer Wischgeste vom linken Rand nach rechts können Sie zu jeder Zeit die Seitenleiste (Dock) von Ubuntu Touch einblenden. Sie zeigt wichtige und derzeit geöffnete Apps an.

Die Schaltfläche am unteren Rand der Seitenleiste öffnet eine Übersicht aller installierten Apps in einer Gitteranordnung.

FÄCHERANSICHT

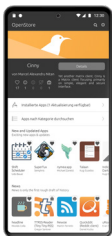
Mit einer Wischgeste vom rechten Rand nach links rufen Sie eine Übersicht der geöffneten Apps auf, die als Fächer dargestellt werden. Damit können Sie zu einer der geöffneten Apps wechseln oder durch eine Wischgeste von unten nach oben eine geöffnete App schließen.



APPS INSTALLIEREN UND LÖSCHEN

Ubuntu Touch verwendet einen eigenen App Store. Android Apps können Sie unter Ubuntu Touch nicht verwenden. Dafür ist die zusätzliche Software Waydroid notwendig. Im Open Store finden Sie eine passende App, mit der Sie Waydroid installieren können.

<https://open-store.io/app/waydroidhelper.aaronhafer>



INSTALLIEREN

1. Öffnen Sie den App Store über die Seitenleiste, den Dock.
2. Tippen Sie auf das Lupensymbol in der Leiste am oberen Rand, um nach Apps zu suchen, oder tippen Sie auf eine der empfohlenen Apps.
3. Tippen Sie in der App-Beschreibung auf die grüne Schaltfläche "Installieren", um eine App zu installieren.

TIPPS FÜR DIE VERWENDUNG WICHTIGER APPS:

- Telefon: Wischen Sie vom unteren Rand nach oben, um die geführten und verpassten Anrufe zu sehen.
- Nachrichten: Führen Sie mit Daumen und Zeigefinger eine Kneifgeste aus, um die Schrift zu vergrößern oder zu verkleinern.
- Wetter: Wischen Sie vom unteren Rand nach oben, um einen neuen Ort hinzuzufügen, oder geben Sie über die Einstellungen den Standort frei.
- Kontakte: Wischen Sie vom unteren Rand nach oben, um einen neuen Kontakt hinzuzufügen, oder importieren Sie eine CardDAV-Datei mit der Endung .vcf, um Kontakte von Ihrem bisherigen Smartphone oder PC zu übertragen.

AKTUALISIEREN

1. Tippen Sie auf die Zeile "Installierte Apps", um die installierten Apps zu sehen.
2. Wenn es eine aktuelle Version einer oder mehrerer Apps gibt, sind diese am Anfang der Liste zu sehen. Tippen Sie auf "Alle aktualisieren", um eine Aktualisierung durchzuführen.

LÖSCHEN

1. Tippen Sie auf einen Eintrag der Liste installierter Apps, um Detailinformationen zu erhalten.
2. Tippen Sie anschließend auf das Mülleimersymbol am oberen rechten Rand, um die App zu löschen.

SYSTEMAKTUALISIERUNGEN

Für Ihr Volla Phone Plinius sind etwa alle 2 Monate Aktualisierungen mit Verbesserungen und Fehlerbehebungen verfügbar.

1. Um eine Aktualisierung zu prüfen oder durchzuführen, rufen Sie die Systemeinstellungen auf und dort den Eintrag „Aktualisierungen“.
2. Falls die Aktualisierung des Betriebssystems oder der vorinstallierten Apps verfügbar ist, rufen Sie in den Systemeinstellungen den Eintrag „Über“ auf und tippen Sie auf „Nach Aktualisierungen suchen“.
3. Nach dem Download einer Systemaktualisierung müssen Sie die Durchführung der Aktualisierung noch einmal bestätigen. Anschließend startet das Gerät zunächst in einen Modus zur Installation der Systemaktualisierung.

Kundendienst

Antworten auf häufig gestellt Fragen finde Sie auf unserer Webseite:

<https://volla.online/de/faqs>

Weitere Hilfestellungen und Anleitungen finden Sie in der Dokumentation der UBports Stiftung: <https://docs.ubports.com/de/latest>

Gerne beantworten wir Ihre Fragen über unser praktisches Formular:

<https://volla.online/de/support>

UNSERE ANSCHRIFT LAUTET:

Volla Systeme GmbH

Kölner Straße 102

42897 Remscheid, Deutschland

Für Reparaturen einschließlich Gewährleistungsfälle wenden sich Kunden aus Deutschland und der EU bitte an unseren zertifizierten Partner Phone Service: <https://phone-service.de/volla>. Kunden aus der Schweiz wenden sich bitte an <https://nanoRepair.ch>.

Soziale Medien

Das Volla Phone Plinius wurde mit und für unsere Anwender entwickelt. Sie sind daher eingeladen, mit uns und anderen Anwendern und Entwicklern zu diskutieren, Ihre Fragen zu stellen und Anregungen für die weitere Entwicklung zu geben. Sie erreichen uns auf folgenden Plattformen:

- Telegram: https://t.me/hello_volla
- Facebook: <https://facebook.com/hellovolla>
- Instagram: https://instagram.com/hello_volla
- X: https://x.com/hello_volla
- LinkedIn: <https://www.linkedin.com/company/hellovolla>
- YouTube: https://youtube.com/hello_volla
- Odysee: <https://odysee.com/@Volla:0>
- Mastodon: <https://mastodon.social/@volla>

Open Source

Das Volla Phone Plinius steht für Freiheit durch Einfachheit und Sicherheit. Dazu gehört auch die Transparenz und Überprüfbarkeit der Software auf dem Volla Phone. Deshalb veröffentlicht die Volla Systeme GmbH den Quellcode für Volla OS und Ubuntu Touch. Zugleich laden wir Entwickler ein, uns bei der Weiterentwicklung zu unterstützen.

<https://github.com/hellovolla>

Das Betriebssystem Ubuntu Touch wird von der UBports Stiftung weiterentwickelt und gewartet:

<https://ubports.com>

Volla ist ein eingetragenes Warenzeichen der Volla Systeme GmbH.

Ubuntu Touch ist ein eingetragenes Warenzeichen von Canonical Ltd.

Sicherheitshinweise

Bitte lesen Sie alle Sicherheitshinweise, bevor Sie das Gerät benutzen, um einen sicheren und ordnungsgemäßen Gebrauch zu gewährleisten.

- Drücken, biegen oder werfen Sie das Gerät nicht.
- Vermeiden Sie, dass der USB-Anschluss mit leitenden Materialien wie Metallen oder Flüssigkeiten in Kontakt kommt.
- Vermeiden Sie die Verwendung des Telefons in einer industriellen Umgebung oder in der Nähe von Metallspänen.
- Wenn ein Teil des Geräts, z. B. das Display oder das Gehäuse, beschädigt ist, raucht oder einen brennenden Geruch abgibt, verwenden Sie das Gerät sofort nicht mehr. Verwenden Sie das Gerät erst wieder, nachdem es in einem von Volla autorisierten Service-Center repariert wurde.
- Wenn die hintere Abdeckung des Geräts verbeult ist, schalten Sie das Gerät sofort aus und suchen Sie das nächste von Volla autorisierte Service-Center auf.

BEACHTEN SIE DIE FOLGENDEN WARNHINWEISE, UM VERLETZUNGEN VON PERSONEN ODER SCHÄDEN AM GERÄT ZU VERMEIDEN

- Halten Sie das Gerät von unbeaufsichtigten Kindern und Tieren fern.
- Verwenden Sie den Kamerablitz nicht in der Nähe der Augen von Menschen oder Tieren.
- Das Gerät kann an Orten mit einer Umgebungstemperatur von -20° C bis 60° C verwendet werden. Sie können das Gerät bei einer Umgebungstemperatur von 0° C bis 60° C aufladen. Wenn Sie das Gerät außerhalb der empfohlenen Temperaturbereiche verwenden oder aufbewahren, kann das Gerät beschädigt werden oder die Lebensdauer der Batterie verkürzen.
- Verwenden Sie das Gerät nicht in heißer Umgebung oder in der Nähe von Feuer.
- Beachten Sie alle Sicherheitshinweise und Vorschriften zur Nutzung von Mobilgeräten beim Führen eines Fahrzeugs.
- Schalten Sie Ihr Smartphone in potenziell explosionsgefährdeten Bereichen aus und beachten Sie alle Warnhinweise. Potenziell explosionsgefährdete Bereiche sind auch jene Orte, an welchen normalerweise die Abschaltung von Fahrzeugmotoren empfohlen wird. An solchen Orten kann Funkenflug die Ursache von Explosionen oder Bränden mit der Folge von Personenschäden sein und es besteht ggf. Lebensgefahr. Solche Bereiche sind unter anderem: Tankstellen, chemische Fabriken, Transport- oder Lageranlagen gefährlicher Chemikalien, Flächen unter Schiffsdecks, Bereiche, in welchen die Luft chemische Substanzen oder Feinpartikel enthält (z. B. Staub- oder Metallpulverpartikel).
- Das Kurzschließen, die Demontage oder Veränderung Ihres Smartphones ist untersagt. Es besteht die Gefahr von Personenschäden, elektrischen Schlägen, Feuer oder Beschädigung des Ladegeräts.
- Es wird empfohlen, keine festen Grafiken auf einem Teil oder der gesamten Anzeige über einen längeren Zeitraum zu verwenden. Andernfalls kann es zu Nachbildern (Einbrennen des Bildschirms) oder Geisterbildern kommen.

AUFRECHTERHALTUNG DER WASSER- UND STAUBWIDERSTANDSFÄHIGKEIT

- Das Gerät kann beschädigt werden, wenn Wasser oder Staub in das Gerät eindringen. Befolgen Sie diese Tipps sorgfältig, um Schäden am Gerät zu vermeiden und die Wasser- und Staubbeständigkeit des Geräts zu erhalten.
- Um die ordnungsgemäße Funktion und die Langlebigkeit des Geräts zu gewährleisten, ist es wichtig, dass es nicht mit großer Wucht Wasser ausgesetzt wird.
- Wenn das Gerät mit Süßwasser in Berührung gekommen ist, trocknen Sie es gründlich mit einem sauberen und weichen Tuch. Wenn das Gerät mit anderen Flüssigkeiten wie Schwimmbadwasser, Salzwasser, Seifenwasser, Öl, Parfüm, Sonnencreme, Handreiniger oder chemischen Produkten wie Kosmetika in Berührung gekommen ist, spülen Sie es mit Süßwasser ab und trocknen Sie es gründlich mit einem sauberen, weichen Tuch. Wenn Sie diese Anweisungen nicht befolgen, können die Leistung und das Aussehen des Geräts beeinträchtigt werden.
- Dieses Gerät wurde in einer kontrollierten Umgebung getestet und als wasser- und staubdicht in bestimmten Situationen zertifiziert (erfüllt die Anforderungen der Klassifizierung ****IP68****, wie in der internationalen Norm IEC-60529 Schutzgrad durch Gehäuse IP-Code beschrieben; Testbedingungen: 15-35 °C, 86-106 kPa, Süßwasserdusche, 2 Minuten). Trotz dieser Klassifizierung ist es möglich, dass das Gerät in bestimmten Situationen beschädigt werden kann.



KOPFHÖRER

Hohe Lautstärken können das Gehör schädigen.

Das Hören von Musik oder Gesprächen über Kopfhörer mit hoher Lautstärke kann unangenehm sein und das Gehör nachhaltig schädigen.

Um einen Verlust des Hörsinns zu verhindern, vermeiden Sie das Hören bei großem Lautstärkepegel über lange Zeiträume.

- Wenn Sie Ihre Kopfhörer während des Gehens oder Laufens verwenden, achten Sie bitte darauf, dass sich die Kopfhörerschnur nicht um Ihren Körper oder um Gegenstände wickelt.
- Verwenden Sie den Kopfhörer ausschließlich in trockenen Umgebungen. Die statische Elektrizität, die sich am Kopfhörer auflädt, kann sich in einem elektrischen Schlag an den Ohren entladen. Bei der Berührung des Kopfhörers mit der Hand oder bei Kontakt mit blankem Metall vor der Verbindung mit dem Mobiltelefon kann sich die statische Elektrizität entladen.

VERWENDUNG IN KRANKENHÄUSERN / MEDIZINISCHE GERÄTE

- Die Funktionen medizinischer Geräte in der Nähe Ihres Produktes können beeinträchtigt werden. Beachten Sie die technischen Bedingungen in Ihrer Umgebung, z.B. in Arztpraxen.
- Wenn Sie ein Medizinprodukt nutzen (z.B. einen Herzschrittmacher), halten Sie vor der Verwendung bitte Rücksprache mit dem Hersteller des Produktes. Dort wird man Sie über die Empfindlichkeit des Gerätes hinsichtlich externer, hochfrequenter Energiequellen informieren.
- Herzschrittmacher, implantierte Kardioverter-Defibrillatoren: Beim Einschalten des Mobiltelefons achten Sie bitte darauf, dass die Distanz zwischen dem Mobiltelefon und dem Implantat mindestens 152 mm beträgt. Um potenzielle Störungen zu reduzieren, verwenden Sie das

Mobiltelefon auf der dem Implantat gegenüberliegenden Seite. Bei möglichen Störungen schalten Sie das Mobiltelefon bitte unverzüglich aus. Bewahren Sie das Mobiltelefon nicht in der Hemdtasche auf.

- Hörgeräte, Cochlea-Implantate: Einige digitale Drahtlosgeräte können Hörgeräte und Cochlea-Implantate stören. Falls Störungen auftreten sollten, wenden Sie sich bitte an den Hersteller solcher Produkte.
- Andere medizinische Geräte: Wenn Sie und die Menschen in Ihrer Umgebung andere medizinische Geräte nutzen, informieren Sie sich bitte bei dem entsprechenden Hersteller, ob solche Geräte gegen Funkfrequenzsignale in der Umgebung geschützt sind. Sie können sich diesbezüglich auch an Ihren Arzt wenden.

NOTRUF

- Vergewissern Sie sich, dass das Mobiltelefon mit dem Mobilfunk-Netz verbunden und eingeschaltet ist. Geben Sie ggf. die Notrufnummer ein und führen Sie dann Ihr Gespräch.
- Informieren Sie den Mitarbeiter in der Notrufzentrale über Ihren Standort.
- Beenden Sie das Gespräch erst nachdem der Mitarbeiter in der Notrufzentrale Sie dazu aufgefordert hat.

KINDER UND HAUSTIERE

- Bewahren Sie das Mobiltelefon, Ladegeräte und das Zubehör außerhalb der Reichweite von Kindern und Haustieren auf. Kinder und/oder Haustiere können die Kleinteile verschlucken und es bestehen Erstickungs- und weitere Gefahren. Kinder dürfen das Mobiltelefon nur unter der Aufsicht Erwachsener verwenden.

SPIELEN

- Langes Spielen auf dem Mobiltelefon führt ggf. zu ungesunder Körperhaltung. Legen Sie nach jeder Stunde 15 Minuten Pause ein. Wenn sich während des Spielens ein Gefühl des Unwohlseins einstellt, müssen Sie das Spiel sofort unterbrechen. Wenn dieser Zustand anhalten sollte, suchen Sie unverzüglich einen Arzt auf.

FLUGZEUGE, FAHRZEUGE UND VERKEHRSSICHERHEIT

- Schalten Sie das Mobiltelefon im Flugzeug aus. Bitte beachten Sie die geltenden Einschränkungen und Vorschriften. Drahtlosgeräte können die Funktionen flugtechnischer Ausrüstungen stören. Befolgen Sie bei der Benutzung des Mobiltelefons unbedingt die Anweisungen des Flugzeugpersonals.
- Als Fahrer/in eines Fahrzeugs lautet das oberste Gebot: Sicherheit im Straßenverkehr und der Verkehrsteilnehmer.
- Die Verwendung Ihres Mobiltelefons während der Fahrt kann Sie ablenken und damit zu gefährlichen Situationen führen. Außerdem kann es gegen die geltenden Gesetze verstoßen.

DEFEKTE GERÄTE

- Die Installation oder Instandsetzung der Produkte ist ausschließlich qualifiziertem Wartungspersonal vorbehalten.
- Entsorgen Sie defekte Geräte verantwortungsbewusst oder lassen Sie diese von unserem Kundendienst instand setzen; solche Geräte könnten andere drahtlose Dienste stören.
- Bei grober Behandlung des Mobiltelefons, z. B. fallen lassen, kann das Display zerbrechen und der elektronische Schaltkreis und die empfindlichen Innenteile werden beschädigt.

- Verwenden Sie das Gerät nicht, wenn das Display gerissen oder zerbrochen ist. Glas- oder Plastiksplitter können Hände und Gesicht verletzen.
- Bei Fehlfunktionen von Mobiltelefon, Akku oder Zubehör wenden Sie sich bezüglich der Inspektion bitte an den Kundendienst von Volla Systeme.

WEITERE WICHTIGE INFORMATIONEN

- Richten Sie das Blitzlicht niemals direkt auf die Augen von Menschen und Tieren. Wenn Blitzlicht zu nahe auf das menschliche Auge gerichtet wird, besteht die Gefahr von zeitweiligem Verlust des Augenlichts oder Schädigung des Sehvermögens.
- Bei der Ausführung von energieintensiven Apps oder Programmen auf dem Gerät über einen längeren Zeitraum wird das Gerät ggf. warm. Dies ist normal und hat keinen Einfluss auf die Leistung des Gerätes.
- Wenn das Gerät heiß werden sollte, legen Sie es bitte einige Zeit zur Seite und unterbrechen Sie ein währenddessen ausgeführtes Programm. Bei Kontakt mit einem heißen Gerät besteht die Gefahr leichter Hautreizungen, z.B. Hautrötungen.
- Lackieren Sie das Mobiltelefon nicht. Lack/Farbe kann die Teile des Mobiltelefons beschädigen und verursacht ggf. Betriebsstörungen.

GARANTIE-URKUNDE

Dem Verbraucher (Kunden) wird unbeschadet seiner Mängelansprüche gegenüber dem Verkäufer eine Haltbarkeitsgarantie zu den nachstehenden Bedingungen eingeräumt:

- Neugeräte und deren Komponenten, die aufgrund von Fabrikations- und/oder Materialfehlern innerhalb von 24 Monaten ab Kauf einen Defekt aufweisen, werden von der Volla Systeme GmbH nach eigener Wahl gegen ein dem Stand der Technik entsprechendes Gerät kostenlos ausgetauscht oder repariert. Für Verschleißteile (z. B. Akkus, Tastaturen, Gehäuse) gilt diese Haltbarkeitsgarantie für sechs Monate ab Kauf.
- Diese Garantie gilt nicht, soweit der Defekt der Geräte auf unsachgemäßer Behandlung und/oder Nichtbeachtung der Handbücher beruht.
- Diese Garantie erstreckt sich nicht auf vom Vertragshändler oder vom Kunden selbst erbrachte Leistungen (z. B. Installation, Konfiguration, Software-Downloads). Handbücher und ggf. auf einem separaten Datenträger mitgelieferte Software sind ebenfalls von der Garantie ausgeschlossen.
- Als Garantienachweis gilt der Kaufbeleg, mit Kaufdatum. Garantieansprüche sind innerhalb von zwei Monaten nach Kenntnis des Garantiefalles geltend zu machen.
- Ersetzte Geräte bzw. deren Komponenten, die im Rahmen des Austauschs an die Volla Systeme GmbH zurückgeliefert werden, gehen in das Eigentum von Volla Systeme GmbH über.
- Diese Garantie gilt für in der Europäischen Union erworbene Neugeräte. Garantiegeberin für in Deutschland gekaufte Geräte ist die Volla Systeme GmbH, Kölner Straße 102, 42897 Remscheid in Deutschland.
- Weiter gehende oder andere Ansprüche aus dieser Herstellergarantie sind ausgeschlossen. Die Volla Systeme GmbH haftet nicht für Betriebsunterbrechung, entgangenen Gewinn und den Verlust von Daten, zusätzlicher vom Kunden aufgespielter Software oder sonstiger Informationen. Die Sicherung derselben obliegt dem Kunden. Der

Haftungsausschluss gilt nicht, soweit zwingend gehaftet wird, z. B. nach dem Produkthaftungsgesetz, in Fällen des Vorsatzes, der groben Fahrlässigkeit, wegen der Verletzung des Lebens, des Körpers oder der Gesundheit oder wegen der Verletzung wesentlicher Vertragspflichten. Der Schadensersatzanspruch für die Verletzung wesentlicher Vertragspflichten ist jedoch auf den vertragstypischen, vorhersehbaren Schaden begrenzt, soweit nicht Vorsatz oder grobe Fahrlässigkeit vorliegt oder wegen der Verletzung des Lebens, des Körpers oder der Gesundheit oder nach dem Produkthaftungsgesetz gehaftet wird.

- Durch eine erbrachte Garantieleistung verlängert sich der Garantiezeitraum nicht.
- Soweit kein Garantiefall vorliegt, behält sich die Volla Systeme GmbH vor, dem Kunden den Austausch oder die Reparatur in Rechnung zu stellen. Die Volla Systeme GmbH wird den Kunden hierüber vorab informieren.
- Eine Änderung der Beweislastregeln zum Nachteil des Kunden ist mit den vorstehenden Regelungen nicht verbunden.
- Zur Einlösung dieser Garantie wenden Sie sich bitte an die Volla Systeme GmbH. Die Kontaktdaten entnehmen Sie bitte der Bedienungsanleitung.

HAFTUNGSAUSSCHLUSS

Das Display Ihres Mobilgerätes besteht aus Bildpunkten (Pixel). Jedes Pixel besteht aus drei Sub-Pixeln (rot, grün, blau).

Es kann vorkommen, dass ein Sub-Pixel ausfällt oder eine Farbabweichung aufweist.

Ein Garantiefall liegt nur vor, wenn die Maximalzahl erlaubter Pixelfehler überschritten wird.

Beschreibung	Maximale Anzahl zulässiger Pixelfehler
Farbig beleuchtete Subpixel	1
Dunkle Subpixel	1
Gesamtzahl der farbigen und dunklen Subpixel	1

Gebrauchsspuren an Display und Gehäuse sind bei der Garantie ausgeschlossen.

Bestimmte Inhalte und Dienste, auf welche über dieses Gerät zugegriffen werden kann, sind als Eigentum Dritter und durch Urheberrechte, Patente, Handelsmarken und/oder andere Gesetze zum Schutz des geistigen Eigentums geschützt. Solche Inhalte und Dienste werden ausschließlich für die nicht kommerzielle, private Nutzung bereitgestellt. Sie dürfen Inhalte und Dienste gegebenenfalls nicht in einer Weise nutzen, die nicht vom Eigentümer eines bestimmten Inhalts oder eines Serviceanbieters autorisiert worden sind. Ohne die grundsätzliche Gültigkeit der vorhergehenden Bestimmungen zu beschränken, außer, soweit ausdrücklich vom Eigentümer des Inhalts oder Serviceanbieters festgelegt, ist die Veränderung, Vervielfältigung, Weiterverbreitung, das Hochladen, die Veröffentlichung, Übertragung, Übersetzung, der Verkauf, die Erstellung abgeleiteter Werke, Verbreitung oder Verteilung der auf diesem Gerät dargestellten Inhalte oder Dienste in jedweder Form und auf jedwedem Medium untersagt.

Herstellerhinweise

ZULASSUNG

Dieses Gerät ist für den Betrieb innerhalb des Europäischen Wirtschaftsraums vorgesehen. Länderspezifische Besonderheiten sind berücksichtigt.

Hiermit erklärt die Volla Systeme GmbH, dass der Funkanlagentyp Volla Phone Plinius der Richtlinie 2014/53/EU entspricht.

Der vollständige Text der EU-Konformitätserklärung ist unter der folgenden Internetadresse verfügbar: <https://downloads.volla.online>.

Der Betrieb im Frequenzbereich 5150 - 5350 MHz ist in Großbritannien und folgenden Ländern nur in geschlossenen Räumen erlaubt.

AT	BE	BG	CH	CY	CZ	DE	DK	EE	EL	ES
FI	FR	HR	HU	IE	IS	IT	LI	LT	LU	LV
MT	NL	NO	PT	PL	RO	SE	SI	SK	TR	UK

RICHTIGE ENTSORGUNG DIESES PRODUKTS

(Richtlinie für Elektro- und Elektronikaltgeräte (WEEE))

(Gültig in Ländern mit Mülltrennsystemen)



Diese Kennzeichnung auf dem Produkt, dem Zubehör oder in der Literatur weist darauf hin, dass das Produkt und dessen elektronisches Zubehör (z.B. Ladegerät, Kopfhörer, USB-Kabel) nicht im Haushaltsmüll entsorgt werden dürfen.

Um mögliche Umwelt- und Gesundheitsschäden aus unkontrollierter Abfallentsorgung zu vermeiden, recyceln Sie es verantwortungsbewusst, um die nachhaltige Wiederverwendung von Rohstoffen zu fördern.

Private Nutzer wenden sich an den Händler, bei dem das Produkt gekauft wurde, oder kontaktieren die zuständigen Behörden, die Auskünfte darüber erteilen, wo die Teile für die umweltfreundliche Entsorgung abgegeben werden können.

Gewerbliche Nutzer wenden sich bitte an Ihren Lieferanten und überprüfen die Allgemeinen Geschäftsbedingungen ihres Kaufvertrages.

Dieses Produkt und die elektronischen Zubehörteile dürfen nicht zusammen mit anderem Gewerbemüll entsorgt werden.

Diese „WEEE“ ist mit der RoHS-Richtlinie kompatibel.

INFORMATIONEN ZUR ZERTIFIZIERUNG DER SPEZIFISCHEN ABSORPTIONSRATE (SAR)

DIESES GERÄT ERFÜLLT DIE INTERNATIONALEN RICHTLINIEN FÜR DIE BELASTUNG DURCH FUNKWELLEN.

Ihr Mobilgerät wurde so entwickelt, dass es die international empfohlenen Expositionsgrenzwerte für Funkwellen nicht überschreitet.

Diese Richtlinien wurden von einer unabhängigen wissenschaftlichen Organisation (ICNIRP) festgelegt und enthalten eine große Sicherheitsmarge, die die Sicherheit aller Personen, unabhängig von deren

Alter und gesundheitlichem Zustand, gewährleisten soll. Die Richtlinien zu Exposition von Funkwellen nutzen eine Maßeinheit, die spezifische Absorptionsrate oder SAR.

Die höchsten SAR-Werte im Rahmen der ICNIRP-Richtlinien für dieses Gerätermodell sind:

- Der SAR-Grenzwert für Mobilgeräte ist 2,0 W/kg (Kopf/Körper).
- Der SAR-Grenzwert für Mobilgeräte ist 4,0 W/kg (Gliedermaßen)

Höchster SAR-Wert für dieses Telefonmodell und die Erfassungsbedingungen

- SAR am Kopf (beim Telefonieren) 0,659 W/Kg (10g)
- SAR am Körper (z.B. in der Hosentasche getragen) 0,983 W/Kg (10g)
- SAR an den Gliedmaßen (z.B. am Arm getragen) 2,006 W/Kg (10g)

SAR-Werte für das Tragen am Körper wurden in einer Distanz von 5 mm ermittelt. Für die Einhaltung der HF-Expositionsrichtlinien zum Tragen am Körper sollte das Gerät zumindest in dieser Distanz vom Körper entfernt positioniert werden.

TECHNISCHE DATEN

Frequenz	Band max	max Leistung
2G	900 MHz	35 dBm
	1800 MHz	32dBm
3G	900 MHz	25,7dBm
	2100 MHz	25,7dBm
4G / 4G+	GS6: B1/B2/B3/B5/B7/ B8/B20/ B28/B38/B40/B41 GS6 PRO: B1/B2/B3/ B5/B7/B8/ B9/B18/B19/B20/ B28/B34/ B38/B40/B41/B42/ B43	25,7dBm
5G NR	n1/n3/n5/n7/n8/n20/ n28/n38/n40/n41	25,7dBm
	n41/n77/n78	28dBm
WLAN 2,4 GHz	2,4 GHz	20dBm
WLAN 5,1-5,7 GHz	5150MHz-5250MHz	23dBm
	5250MHz-5350MHz	20dBm
	5470MHz-5725MHz	20dBm
WLAN 5,8 GHz	5725MHz-5850MHz	13,98dBm
WLAN 6e	5945MHz-6425MHz	14dBm
BT	2,4 GHz	20dBm
NFC	2,4 GHz	42dBµA/m @10m
WPT	13,56MHz	-8.591dBµA/m @10m

AKKU

Technologie: Li-Polymer

Kapazität: 5300 mAh Typ. V30145-K1310-X491 (Sachnummer) oder 6000 mAh Typ. (kompatibel) V30145-K1310-X489 (Sachnummer)

Open Source Software

Ihr Volla Phone Plinius enthält unter anderem Open Source Software, die verschiedenen Lizenzbedingungen unterliegt.

Ubuntu Touch baut auf die Linux Distribution Ubuntu auf, die unter GNU General Public License (GPL) veröffentlicht ist.

<http://www.gnu.de/documents/gpl-2.0.de.html>

<https://gitlab.com/ubports>

Ubuntu Touch verwendet für die Hardware Abstraktion Halium, die ebenfalls unter GNU General Public License (GPL) veröffentlicht ist.

<http://www.gnu.de/documents/gpl-3.0.de.html>

<https://github.com/halium>

Die speziell für das Volla Phone Plinius entwickelte Software ist auf Github verfügbar: **<https://github.com/hellovolla>**